

made in spain

### SPECIAL BOTTLE JACKS

With the same technical features as those of our BR jacks. Designed to suit special applications. The lower height of the BRS jacks facilitates easy access to low jacking points. However, the BR2L is used for vehicles with a high jacking point.



Rotatory pump socket. It can be operated from any position.



Safety overload valve. Up to 5t, **OPTIONAL**.



Hydraulic stroke limitation.

Special bottle jacks



BR2LLC BR2L BR5EM BR510

Telescopic bottle jacks

### TELESCOPIC BOTTLE JACKS

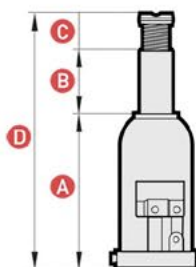
They include the same technical improvements as our BR jacks. A telescopic piston allows for a very low initial height with a high lifting range.

The EM jacks are fitted with a specific lifting support for vehicles requiring this type of jacking head.

Other designs of jacks with special technical requirements can be manufactured on request, depending on quantities ordered. We also supply jacks fitted with a pressure gauge.



BRT1.2 BRT2 BRT2EM BRT12



	BR2LLC	BR2L	BR3EM	BR5EM	BR55	BR510	BR515	BR520
<b>CAPACITY (t)</b>	2	2	3	5	5	10	15	20
<b>A</b>	570	297	172	212	135	131	150	190
<b>B</b>	460	225	105	150	70	62	75	105
<b>C</b>	-	-	65	75	40	30	40	55
<b>D</b>	1030	522	338	437	245	223	225	350
<b>Weight (kg)</b>	10,3	6	3,8	4,7	3,7	5	7,2	9,5
<b>REFERENCES</b>	BR2LLC	BR2L	BR3EM	BR5EM	BR55	BR510	BR515	BR520

Measures in mm.

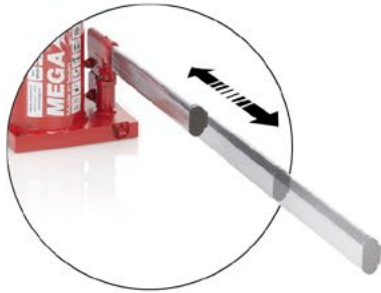


	BRT1.2	BRT2	BRT2MI	BRT2EM	BRT5	BRT12	BRT20
<b>CAPACITY (t)</b>	1,2	2	2	2	5	12	20
<b>A</b>	160	145	145	170	215	245	180
<b>B</b>	230	165	165	212	300	326	205
<b>C</b>	-	50	50	-	-	-	-
<b>D</b>	390	360	360	382	515	571	385
<b>Weight (kg)</b>	5	4,8	5	5,4	8,3	15,4	22
<b>REFERENCES</b>	BRT1.2	BRT2	BRT2MI	BRT2EM	BRT5	BRT12	BRT20

Measures in mm.



made in spain



Telescopic three piece zinc plated pump handle.



The BRD50 and MGD-100 jacks are fitted with two pumps [approach and operation].



Rotatory carrying handle from BR20 onwards.



**BUREAU VERITAS**

Complies with:  
American ANSI PALD  
Australian / New Zealand Standard  
CE official certification

## HYDRAULIC BOTTLE JACKS

Telescopic three piece zinc plated pump handle.  
Rotatory pump socket. It can be operated from any position.  
Rotatory carrying handle keeps retracted telescopic lever.  
Extension screw provides added lifting height.  
Safety overload valve which prevents the jack from being used beyond its rated capacity.  
Safety oil by-pass system prevents the ram from being over extended and causing damage to the cylinder.  
Pump handle can be locked.



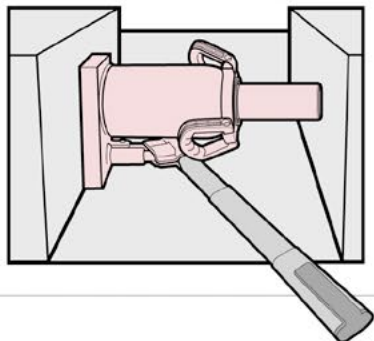
The MGD-100 model includes a pressure gauge.

Hydraulic bottle jacks



Rotatory pump socket. It can be operated from any position.

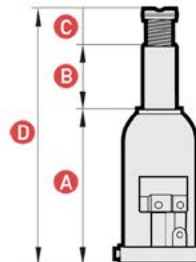
The MEGA jacks can be used horizontally when required.



Safety overload valve. Up to 5t, **OPTIONAL**.



Hydraulic stroke limitation.



	BR2	BR3	BR3A	BR5	BR8	BR10	BR12	BR15	BR20	BR25	BR30	BR40	BR50	BRD50	MGD-100
<b>CAPACITY (t)</b>	2	3	3	5	8	10	12	15	20	25	30	40	50	50	100
<b>A</b>	168	168	210	212	219	219	226	228	234	242	242	246	260	260	300
<b>B</b>	105	105	150	150	150	150	150	150	150	150	150	150	140	140	150
<b>C</b>	65	65	65	75	75	75	75	75	75	75	75	-	-	-	-
<b>D</b>	338	338	425	437	444	444	451	453	459	467	467	396	400	400	450
<b>Weight (kg)</b>	3,6	3,7	4	4,5	6,2	6,4	8,5	8,8	10,6	15,5	15,5	22,5	27	30	87
<b>REFERENCES</b>	<b>BR2</b>	<b>BR3</b>	<b>BR3A</b>	<b>BR5</b>	<b>BR8</b>	<b>BR10</b>	<b>BR12</b>	<b>BR15</b>	<b>BR20</b>	<b>BR25</b>	<b>BR30</b>	<b>BR40</b>	<b>BR50</b>	<b>BRD50</b>	<b>MGD-100</b>

Measures in mm.

made in spain



Safety overload valve. Prevents the jack from being used beyond its rated capacity.



Hydraulic stroke limitation. Safety oil by-pass system prevents the ram from being over extended and causing damage to the cylinder.



Operation by the "dead man's" principle (the operation is halted if the user accidentally loses control)



LCS lowering system. A system that functions automatically and offers smooth and uniform lowering. It guarantees safe lowering in all circumstances, although an involuntary and/or abrupt and violent opening of the release valve is produced.



The inside wheels in this model allows for excellent manoeuvrability.

Hydraulic trolley jacks

2

GR3X

The inside wheels in this model allows for excellent manoeuvrability. Extra-low extended access platform.

360 mm

GR2X

380 mm



Extra long low profile frame grants maximum accessibility.

610 mm

The inside wheels in this model allows for excellent manoeuvrability.

GR2H

New GR35 model incorporates a mechanical safety system that prevents from accidental lowering. Should it occur, the lifting arm will lock at 320 mm from the floor.

- 1 - Foot pedal releases the mechanical safety system. **Patented.**
- 2 - Foot pedal for quick approach of lifting saddle to load.

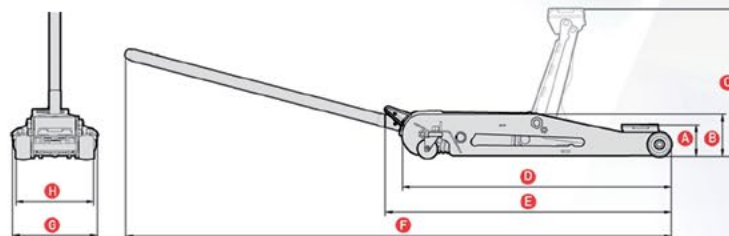


Easily accessible thanks to a very low chassis. (135 mm at their highest point ⑥)

GR35

CAPACITY (t)	2	2	3	3
A	90	75	90	90
B	165	137,5	135	140
C	790	520	470	520
D	1220	920	850	920
E	1275	975	905	975
F	2020	1800	1720	1810
G	270	270	270	270
H	360	250	250	250
Weight (kg)	50,7	35,5	36	38
REF.	GR2H	GR2X	GR3S	GR3X

Measures in mm.



# NEW



Safety overload valve. Prevents the jack from being used beyond its rated capacity.



Hydraulic stroke limitation. Safety oil by-pass system prevents the ram from being over extended and causing damage to the cylinder.



Operation by the "dead man's" principle (the operation is halted if the user accidentally loses control)



LCS lowering system. A system that functions automatically and offers smooth and uniform lowering. It guarantees safe lowering in all circumstances, although an involuntary and/or abrupt and violent opening of the release valve is produced.

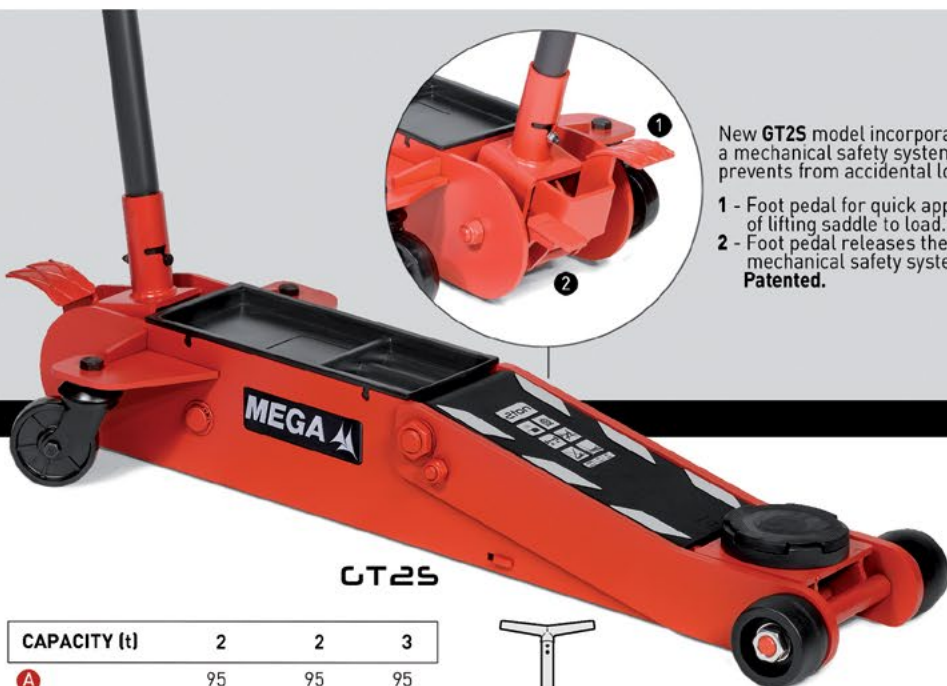
## HYDRAULIC TROLLEY JACKS

Careful design and excellent production quality thanks to the use of ultimate technologies. The MEGA designing department has thought about every detail with care and we have built it with robustness and materials designed to extend its life. Reinforced structure for intensive use in heavy work. Greater width of tracks for greater stability. The ergonomic handle allows handling from any position.



New GT2S model incorporates a mechanical safety system that prevents from accidental lowering.

- 1 - Foot pedal for quick approach of lifting saddle to load.
- 2 - Foot pedal releases the mechanical safety system. Patented.



GT2S

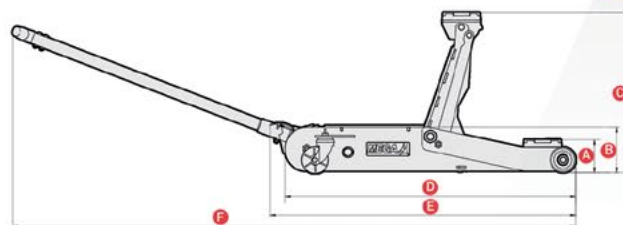
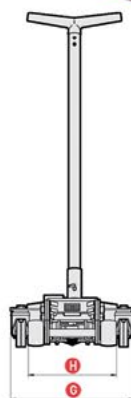


GT3

GT2

Larger wheels for better mobility and support on uneven pavements. Polyamide wheels that improve maneuverability, do not damage the floor, do not rust and are silent.

CAPACITY (t)	2	2	3
A	95	95	95
B	135	135	135
C	470	470	470
D	850	850	850
E	900	900	900
F	1610	1610	1650
G	360	360	360
H	257	257	257
Weight (kg)	35	37,5	36
REFERENCES	GT2	GT2S	GT3



Easily accessible thanks to a very low chassis. (135 mm at their highest point B)

Measures in mm.

made in spain

## HYDRAULIC TROLLEY JACKS

Optimum use and distribution of material thanks to the rear side openings and front side reinforcements.

They lift everything from cars to heavy duty trucks.  
Intended use: truck fleet, bus company garages, heavy construction and agricultural equipment maintenance garages.

Spring loaded "T" handle can be activated to lower load in any handle position by pulling and rotating it clockwise ¼ turn.

Huge steel wheels at mid-weight point for easy manoeuvring.  
Note: model not shown (T12) has same basic construction as model pictured (T10).



**GR4** intended use: vans, minibuses, 4 wD's. It substitutes in technical characteristics to our old T3 model.

For 3 ton models we have created a complete new range (see previous page).

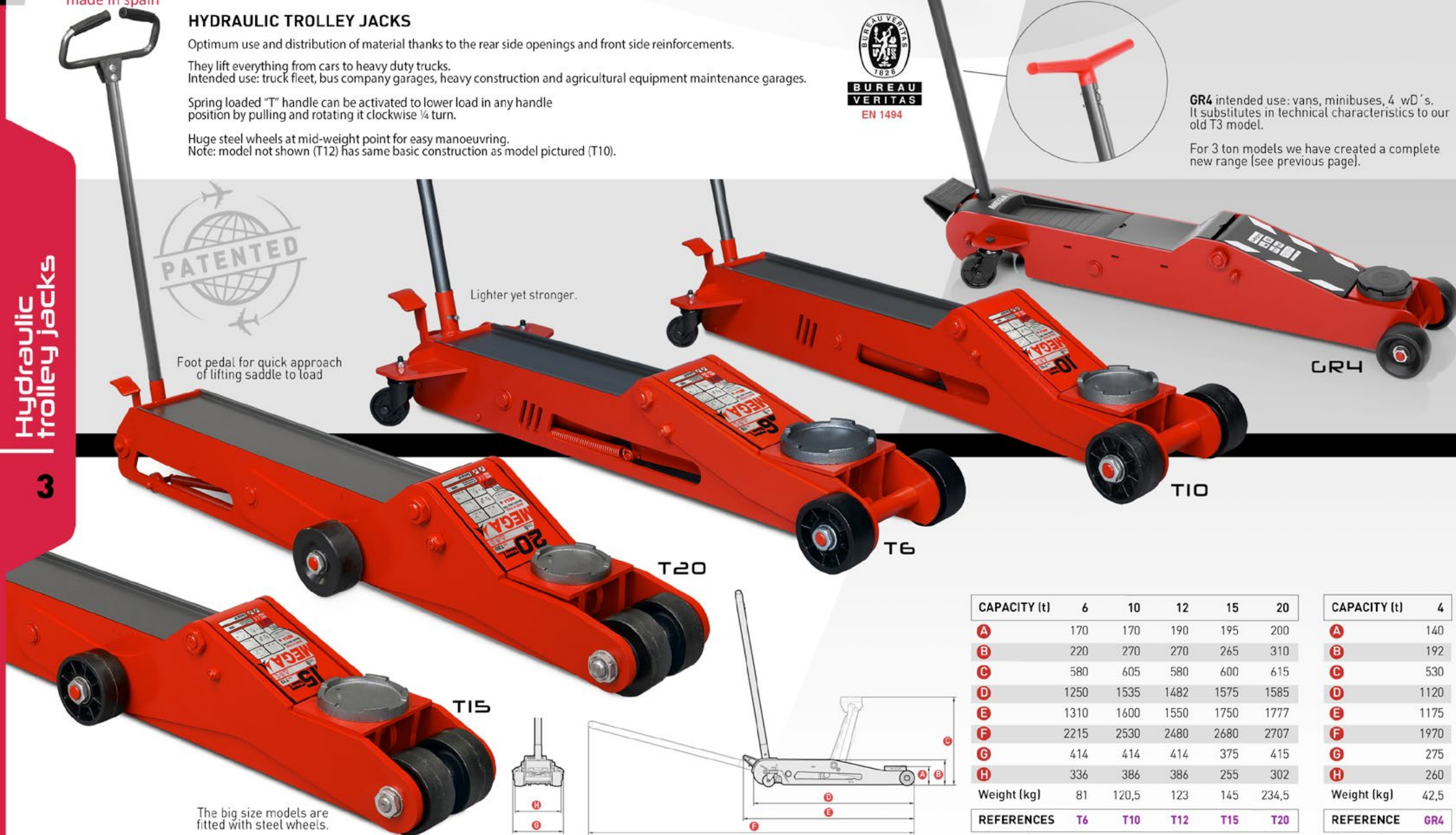
Hydraulic trolley jacks

3



Foot pedal for quick approach of lifting saddle to load

Lighter yet stronger.



The big size models are fitted with steel wheels.



CAPACITY (t)	6	10	12	15	20
A	170	170	190	195	200
B	220	270	270	265	310
C	580	605	580	600	615
D	1250	1535	1482	1575	1585
E	1310	1600	1550	1750	1777
F	2215	2530	2480	2680	2707
G	414	414	414	375	415
H	336	386	386	255	302
Weight (kg)	81	120,5	123	145	234,5
REFERENCES	<b>T6</b>	<b>T10</b>	<b>T12</b>	<b>T15</b>	<b>T20</b>

Measures in mm.

CAPACITY (t)	4
A	140
B	192
C	530
D	1120
E	1175
F	1970
G	275
H	260
Weight (kg)	42,5
REFERENCE	<b>GR4</b>

Measures in mm.

made in spain



Safety overload valve.



Hydraulic stroke limitation.



LCS lowering system.



Operation by the "dead man's" principle.



**BUREAU VERITAS**  
EN 1494

## PORTABLE TROLLEY JACK

Portable trolley jack.

Only **19 kg** maximum weight handle included.

100% made of steel.

Without resorting to aluminium so as not to reduce the strength of the jack and its useful life.

Dual pump for fast lift.

Portable trolley jack



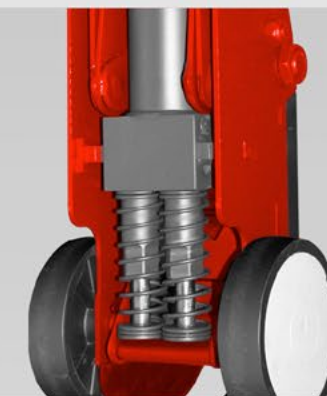
Foot push-button to easily unlock handle.



Different transport options.  
The jack rest in vertical position. **Patented.**



Foldable telescopic handle, includes all functions: lifting, lowering and transport. **Patented.**



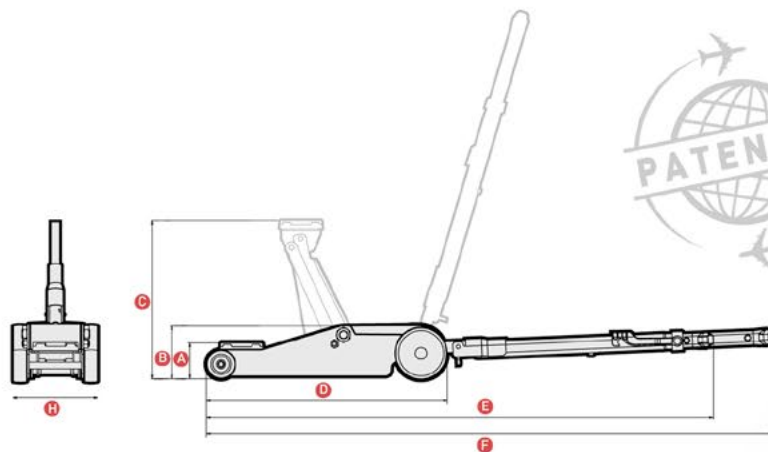
Dual pump for fast lift.



Includes rubber protection pad within the saddle.

CAP. (TON)	2
A	92
B	136
C	410
D	616
E	1295
F	1450
H	200
WEIGHT (kg)	19
REF.	<b>GRP2</b>

Medidas en mm.



GRP2

made in spain



Safety overload valve. Hydraulic stroke limitation.

## AIR HYDRAULIC BOTTLE JACK

They are very compact models. Their monoblock -integrated tank- uniweld construction reduces their dimensions and makes transportation easier. Ideal for road size services.

Fitted with rotatory carrying handle.

**BRA30**



Rotatory pump socket. It can be operated from any position.

The pistons are hardened with a salt bath nitriding treatment to ensure a long working life. They have a fast load approach screw and a high performance pneumatic pump with remote control drive.

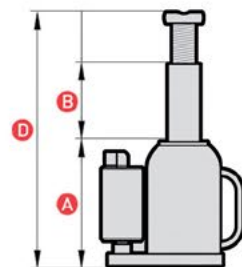
CAPACITY (t)	20	30
A	234	242
B	138	138
C	75	75
D	447	455
Weight (kg)	15,5	23,5
Air pressure required	7 bar / 100 psi	
Necessary air flow	270 l/min / 9,5 cfm	
REFERENCES	<b>BRA20</b>	<b>BRA30</b>

Measures in mm.



**A-5270**

**ESSENTIAL!**  
Workshop in-line air filter-regulator-lubricator. Optional.



**BUREAU VERITAS**

Complies with:  
American ANSI PALD / EN 1494



**BUREAU VERITAS**

EN 1494

## PORTABLE AIR JACK

This model shares technology, concept and performance as our N15-30 models (same engine, same hydraulic block, etc,...) The unique difference is that we have integrated the oil tank into the frame so as to make it more compact, and to make the chassis extraordinarily robust and rigid.

Without resorting to aluminium, so as not to reduce the strength of the jack and its useful life, we have achieved the balance of excellent weight while maintaining its exceptional load capacity for its category, 15 - 30 t. The most compact, robust and practical model in the market.

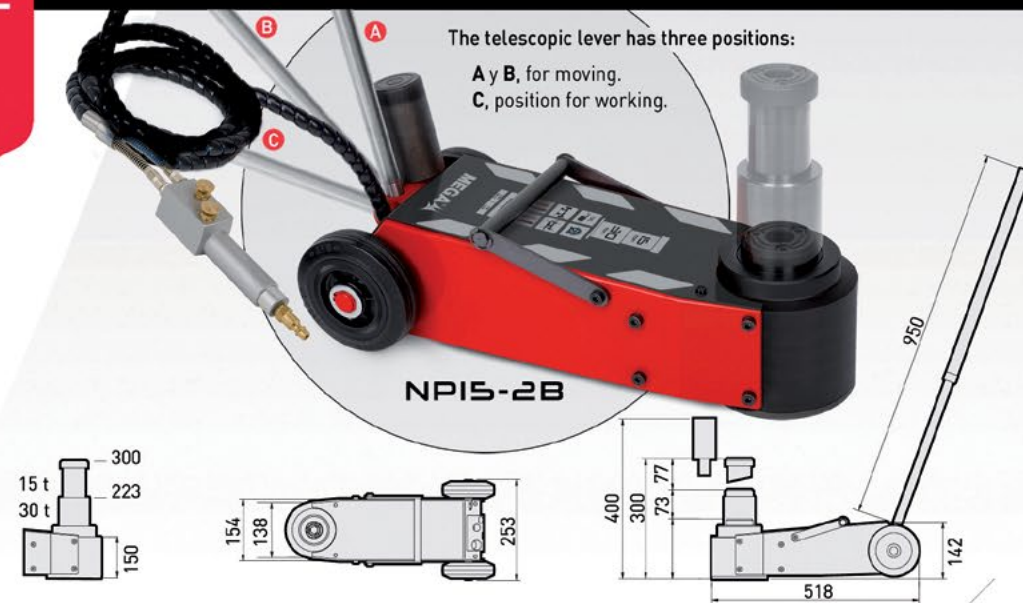


**A-5212**  
L=100mm. Standard

Portable air jack

The telescopic lever has three positions:

- A y B, for moving.
- C, position for working.



made in spain



Safety overload valve.



Hydraulic stroke limitation.



LCS lowering control system.



Operation by the "dead man's" principle.



Rotating or retractable handle depending on models



Single control switch. Handy and easy to use.



## AIR HYDRAULIC GARAGE JACKS

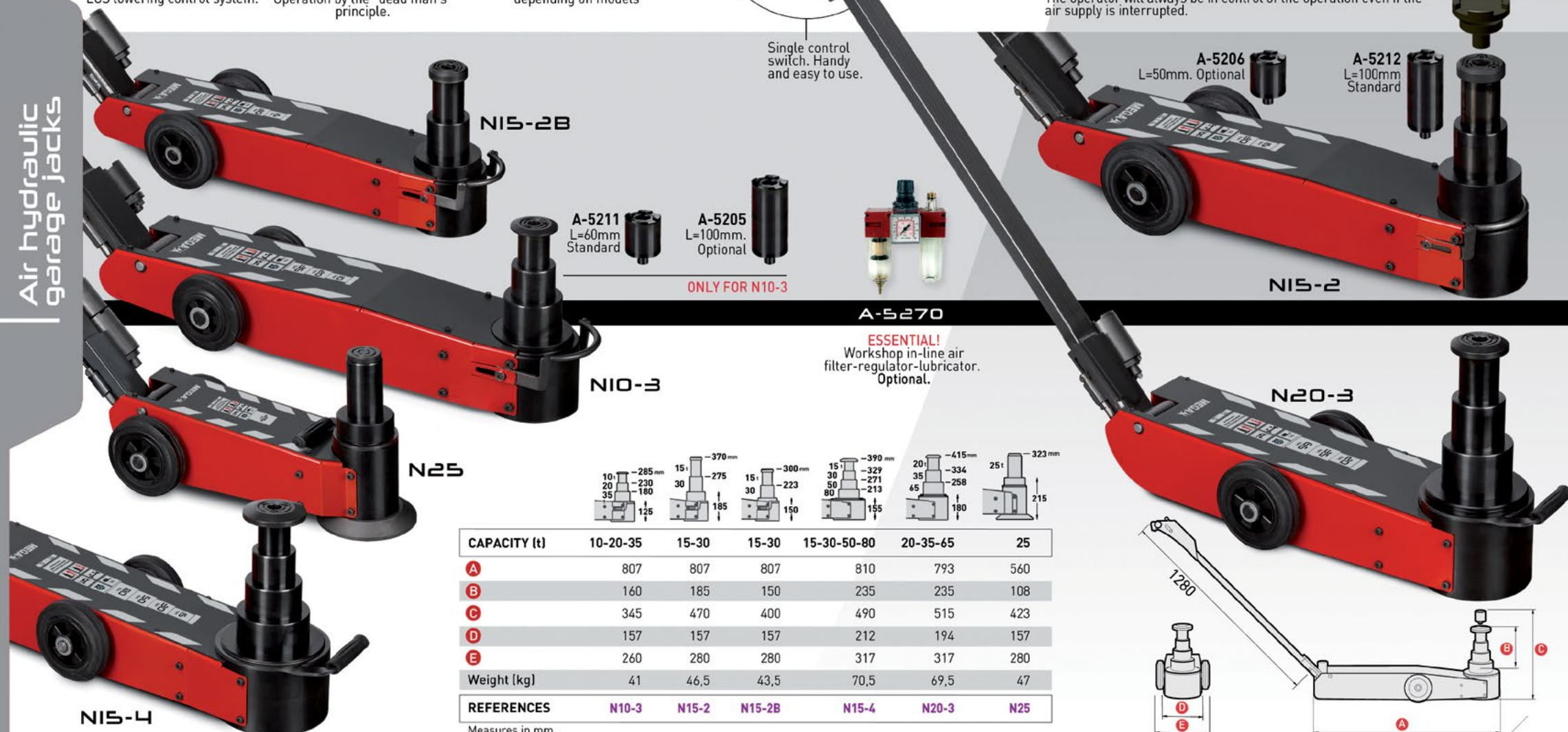
Maximum steel quality. Their chromium molybdenum vanadium composition strengthened by an anti-rust and anti-seizing treatment through salt bath nitriding gives the jacks unbeatable resistance and durability properties.

Modular concept. The independent modular construction design -lifting block, valve unit, pump motor, release cylinder and tank- simplifies assembly and makes maintenance easier.

High approach speed and efficient load elevation. The operator will always be in control of the operation even if the air supply is interrupted.

A-5204 - Optional

Air hydraulic garage jacks



N15-2B

A-5206  
L=50mm. Optional

A-5212  
L=100mm  
Standard

A-5211  
L=60mm  
Standard

A-5205  
L=100mm.  
Optional

ONLY FOR N10-3

A-5270

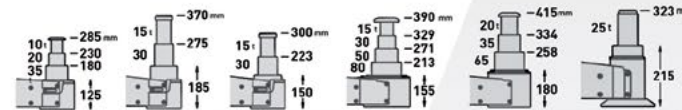
**ESSENTIAL!**  
Workshop in-line air filter-regulator-lubricator. Optional.

N15-2

N10-3

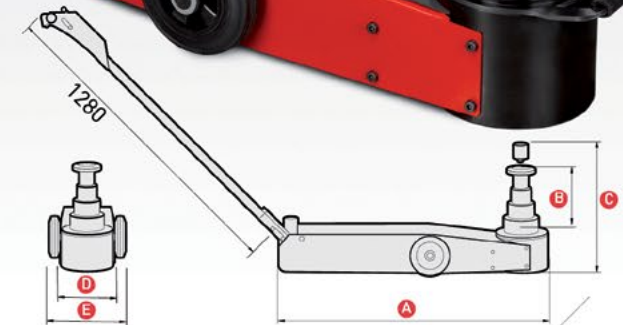
N20-3

N25



CAPACITY (t)	10-20-35	15-30	15-30	15-30-50-80	20-35-65	25
A	807	807	807	810	793	560
B	160	185	150	235	235	108
C	345	470	400	490	515	423
D	157	157	157	212	194	157
E	260	280	280	317	317	280
Weight (kg)	41	46,5	43,5	70,5	69,5	47
REFERENCES	N10-3	N15-2	N15-2B	N15-4	N20-3	N25

Measures in mm.



made in spain

## JACK EXHIBITOR

This display facilitates the combined presentation of both bottle and trolley jacks.

A-555IL



Jack exhibitors  
and repair kits

16

A-5250  
Volume 5 liter



## REPAIR KITS

For every hydraulic item in this catalogue.

